

Skyline

The Skyline range is tailored to suit your AV equipment, available in two width sizes for both simple and professional set ups. Its clever design removes the need for unsightly pole legs creating more shelf space within less floor area. Whichever size is for you, the Skyline will enhance your display without dominating your living space.







Skyline Range



SKY 750 SILVER



SKY 1000 SILVER



SKY 750 BLACK



SKY 1000 BLACK

Features

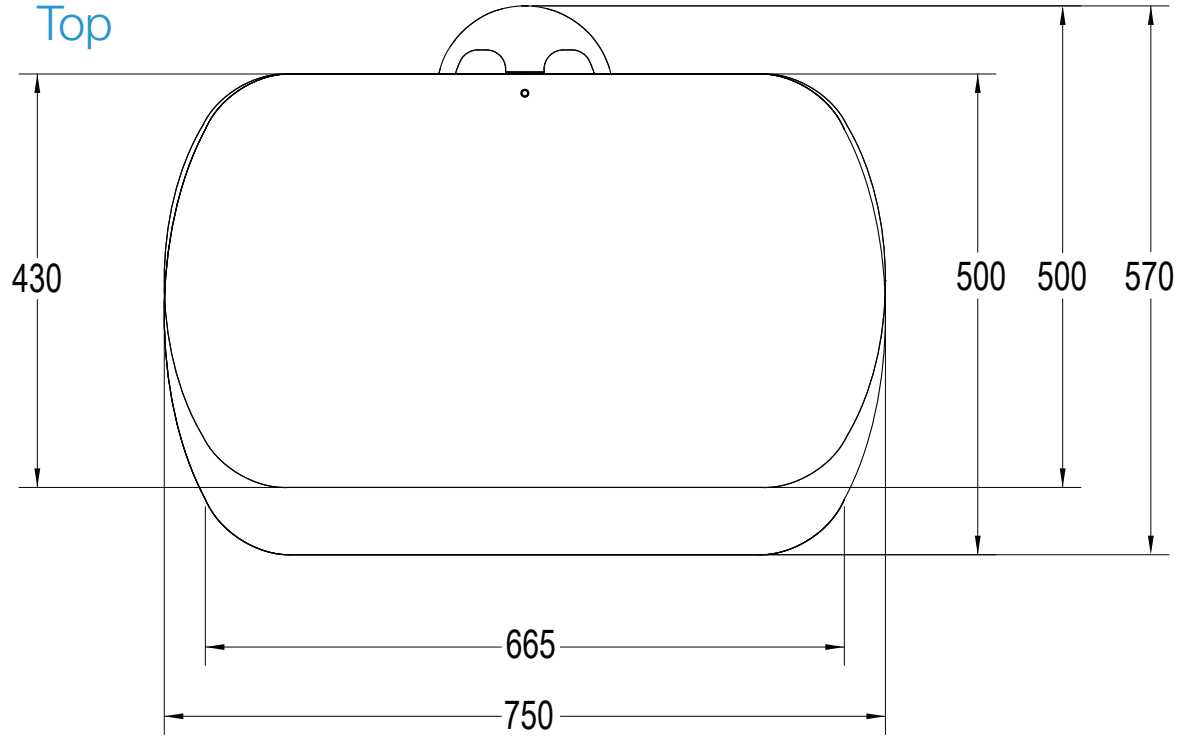
Adaptable:	Fits any make and model of TV up to 52"
Cantilever Design:	No front legs allows for maximum use of shelf
No More Wires:	Hides all the clutter of cables and wires
Easy Assembly:	Simple build with easy to understand instructions
Safety:	Safety glass with rounded edges
Extension Cable Supplied:	4 socket extension cable supplied
Cable Management:	Cable ties and cable mounts supplied
Space Saving:	Fits easily into corners or against walls
High Quality:	Extremely strong and beautifully finished

Specifications

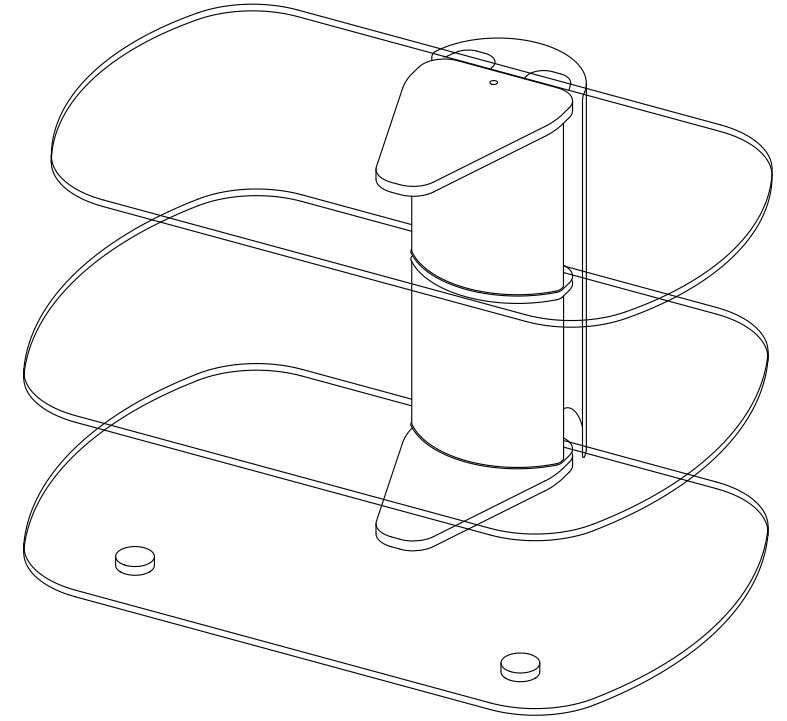
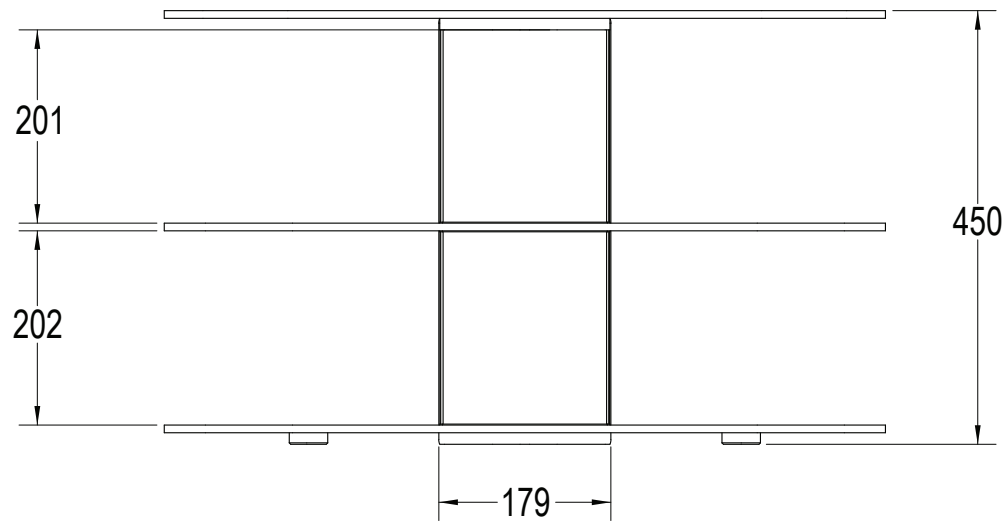
	SKY 750 / SKY 1000
Stand Dimensions 750:	H: 450mm x W: 750mm x D: 570mm
Stand Dimensions 1000:	H: 450mm x W: 1000 mm x D: 570mm
Useable Shelf Space:	W: 665/915mm x D: 410mm
Height between shelves:	200mm
Shelf Safety Glass Thickness:	8mm
Max Shelf Loading:	10Kg middle shelf / 30Kg bottom shelf
Max TV Weight:	50Kg
Overall Weight:	27Kg/30Kg
Box Dimensions:	H: 172mm x W: 932/1077mm x D: 585mm

Skyline 750 Dimensions

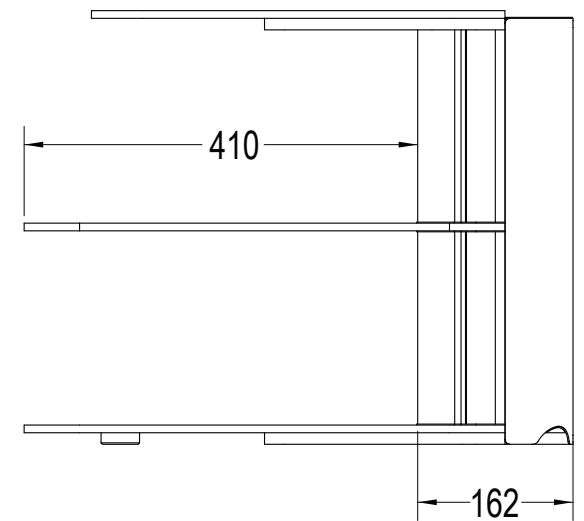
Top



Front

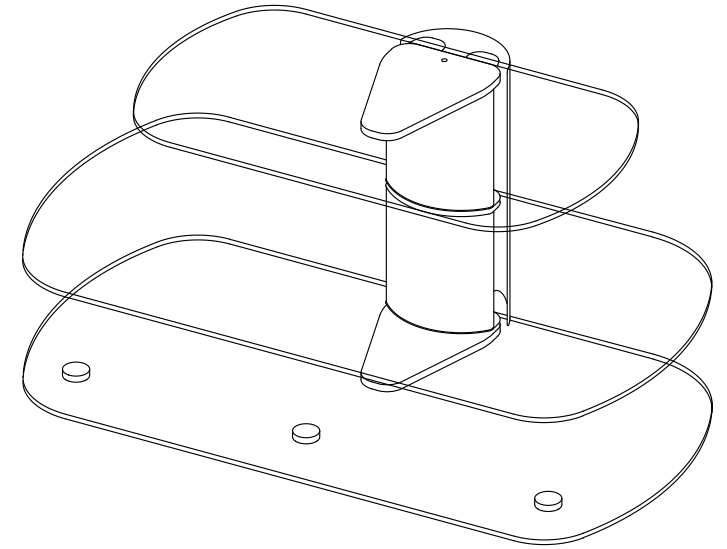
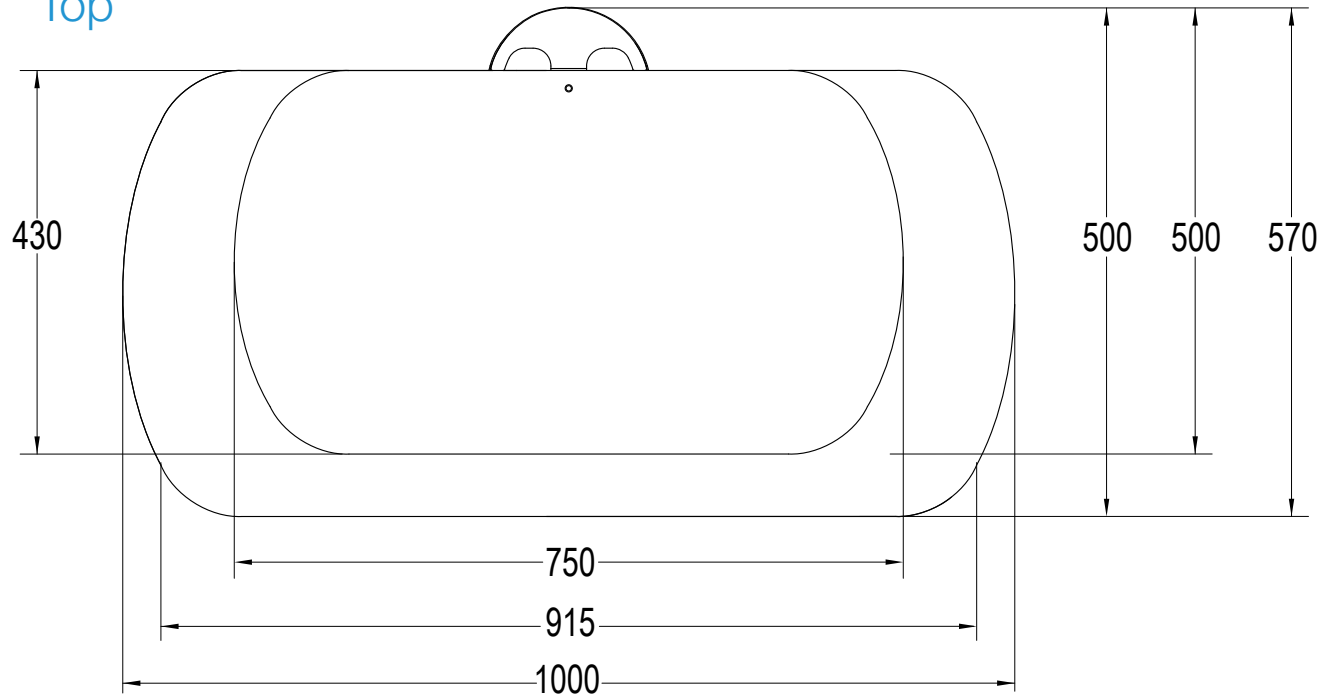


Side

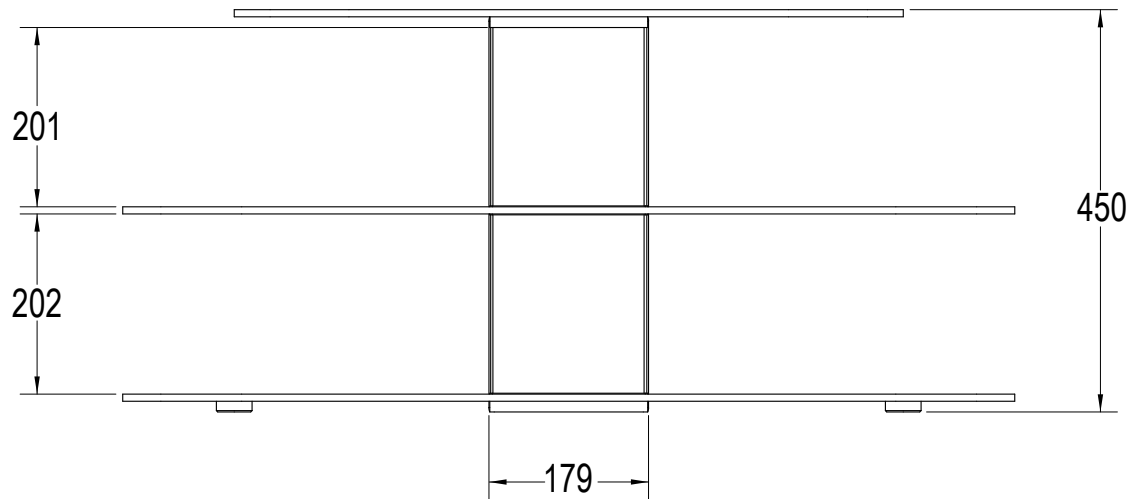


Skyline 1000 Dimensions

Top



Front



Side

