

Duo

The Duo range is extremely versatile. Its low, sleek appearance is deceptive as its unique soft opening / easy close door encloses a generous AV unit space. Units can be placed side by side or even stacked. The door gently opens all by itself once the catch is pushed. Then it is simply closed with one finger. Above the cabinet is an open space ideal for a speaker bar, additional units or simply for magazines. Above that the TV floats impressively on the glass shelf. All this flexibility in a compact corner friendly design.



Soft open / easy close door

Contrasting black veneer interior





Duo Range



DUO 1000 BLACK



DUO 1000 OAK



DUO 1000 WALNUT

Features

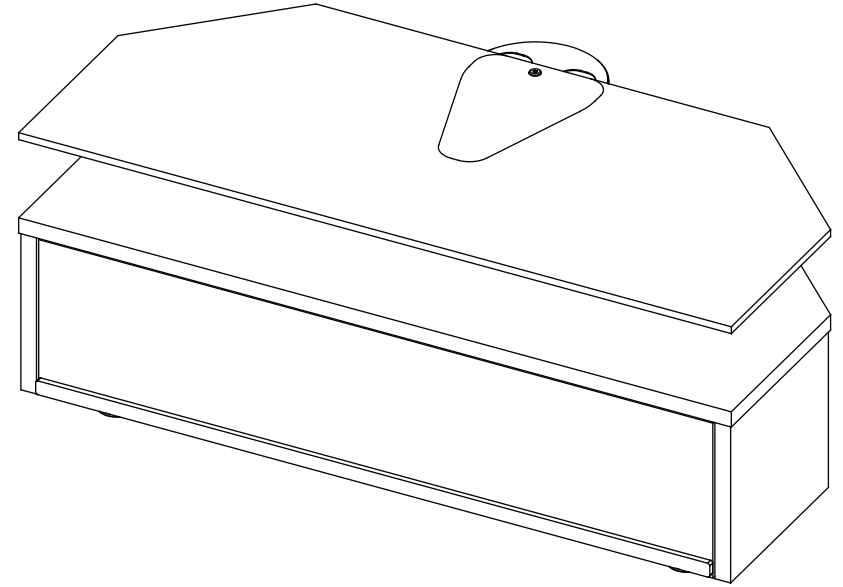
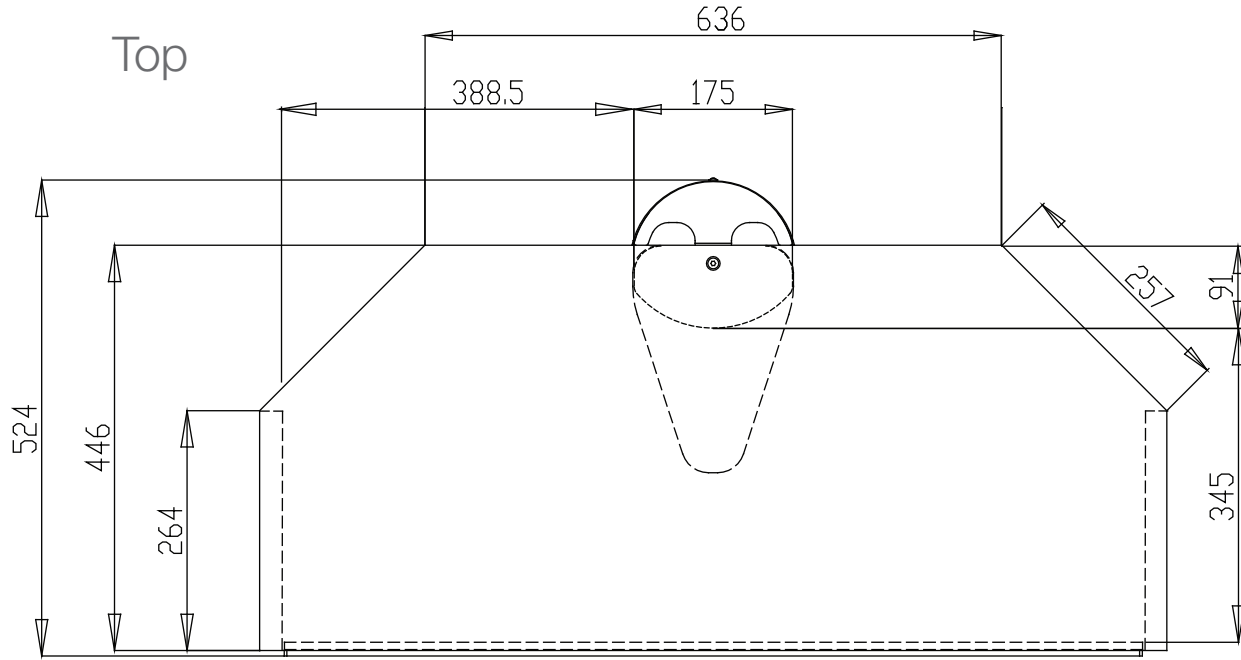
Adaptable:	Fits any make and model of TV up to 52"
Glass Door:	Stylish soft opening safety glass door
No More Wires:	Hides all the clutter of cables and wires
Stylish Design:	Sits low to the floor for sleek appearance
Safety:	Safety glass with rounded edges
Extension Cable Supplied:	4 socket extension cable supplied
Cable Management:	Cable ties and cable mounts supplied
Space Saving:	Fits easily into corners or against walls
High Quality:	Extremely strong and beautifully finished

Specifications

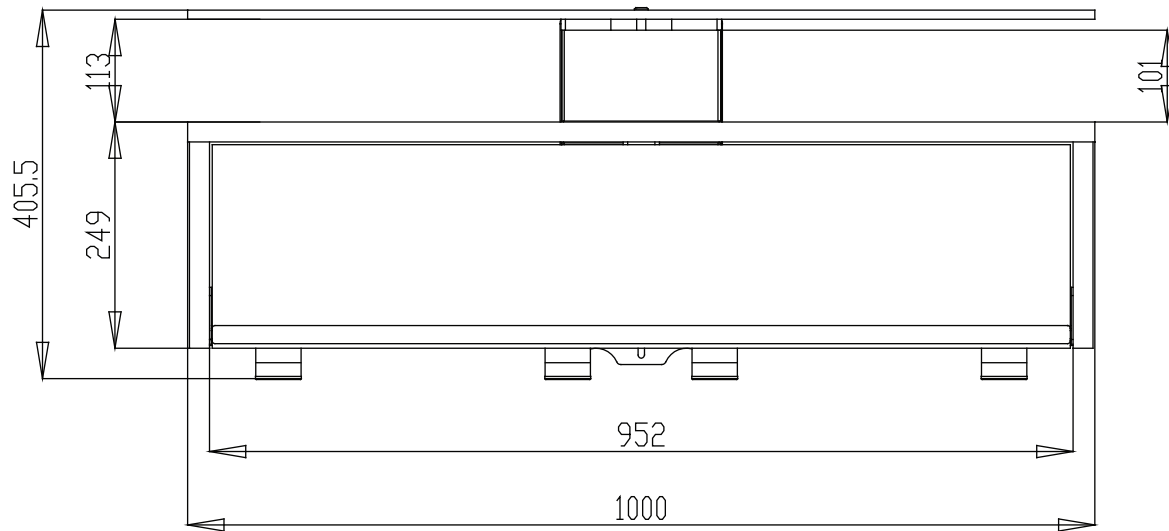
Stand Dimensions:	H: 409mm x W: 1000mm x D 525mm
Internal Cabinet Height:	202mm
Useable Cabinet Space:	W: 952mm x D: 350mm
Shelf Height:	101mm
Useable Shelf Space:	W: 1000mm x D: 350mm
Shelf Safety Glass Thickness:	10mm
Max TV Weight:	50Kg
Overall Weight:	40Kg
Box Dimensions:	H: 242mm x W: 1126mm x D 560mm

Duo Dimensions

Top



Front



Side

